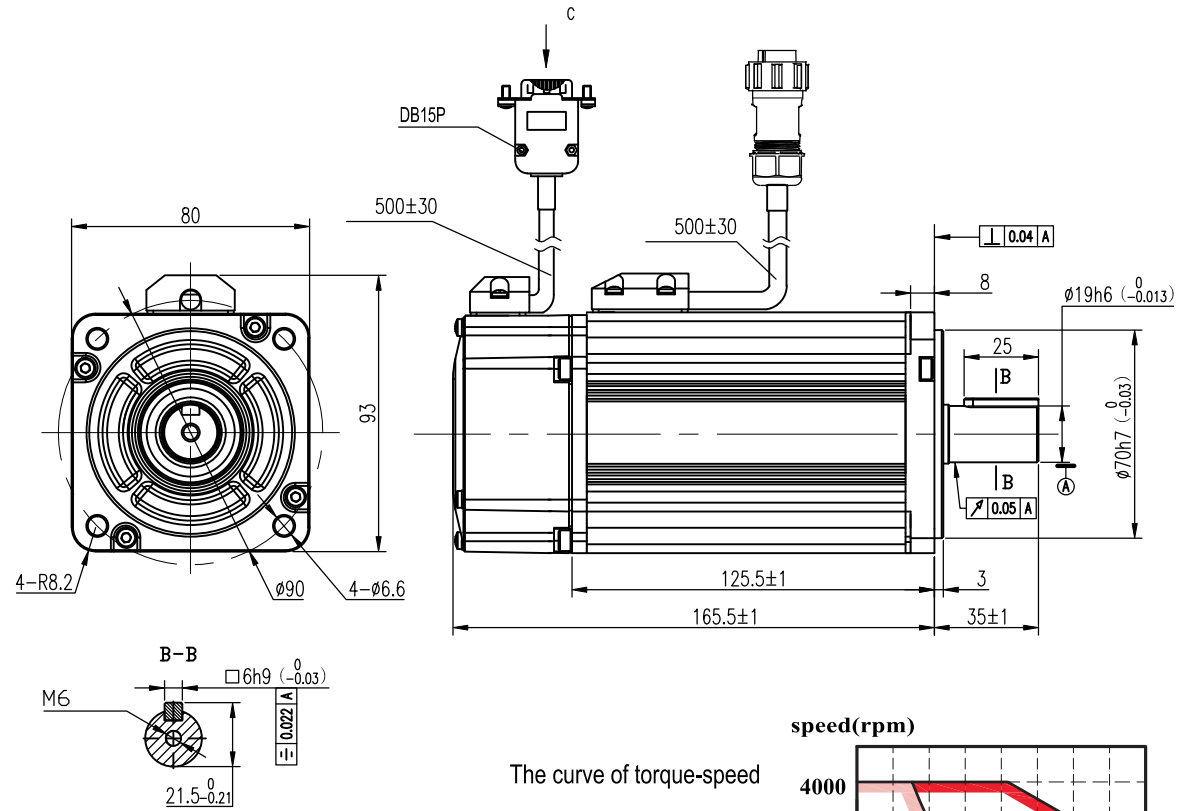
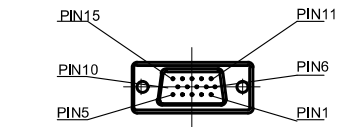


Rated voltage (VDC)	48
Rated power (W)	1000
Rated torque (N.m)	3.2
Max torque (N.m)	9.6
Rated speed (rpm)	3000
Max speed (rpm)	4000
Rated current (A)	28
Max current (A)	86
Torque constant (N.m/A)	0.13
Back EMF constant (mV/rpm)	7.7
Inertia(kg*m <sup>2</sup> *10 <sup>-4</sup> )	2.2
Resistance(Ω)	0.06
Inductance(mH)	0.17
Motor poles	8
Encoder	1000lines
Encoder cable	28AWG
Power cable	12AWG
Protection level	IP54

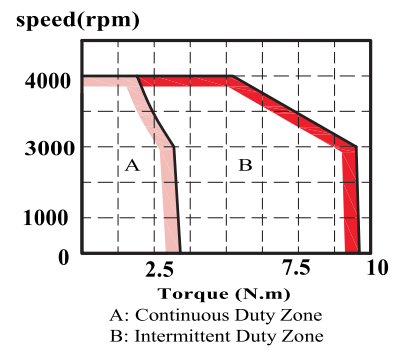


Type	Power connector			
Pin	1	2	3	4
Defi	U	V	W	FG
Color	Red	Blue	Black	Yellow/green



Type	DB15 Male of Encoder connector														
Pin	1	2	3	4	5	6	7	8	9	10	11	12	13	14	15
Defi	A+	B+	GND	W+	U+	PE	Z+	Z-	V+	V-	A-	B-	+5V	W-	U-

The curve of torque-speed



Leadshine Technology Co .Ltd

**ELDM80100V48HM-A4-HD**  
1000w servo motor with 1000 lines encoder  
80mm frame size/1000W/48V