

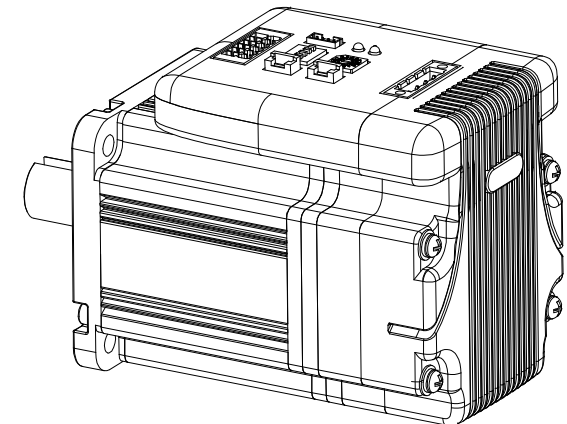
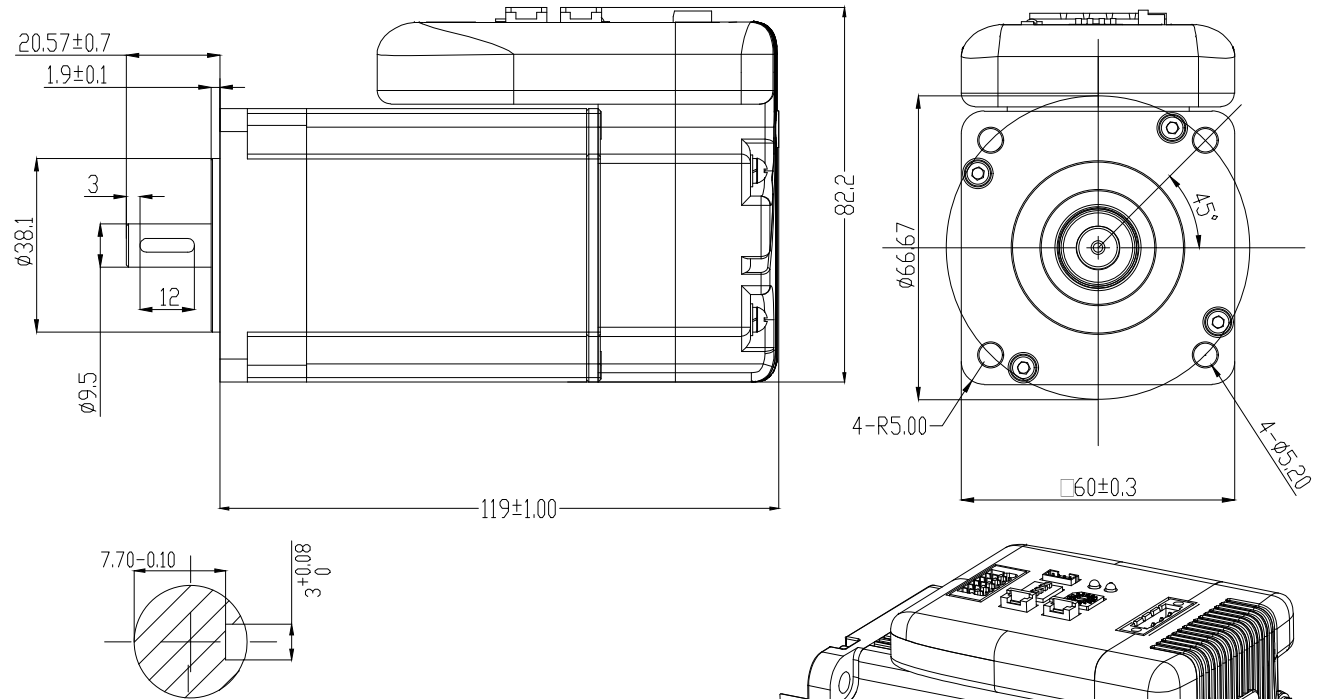
Basic specification

- ◇ 400watt
- ◇ Frame size : 60mm
- ◇ Pulse + direction / RS485
- ◇ Voltage input: 20-60vdc
- ◇ 2.5-3 times overload
- ◇ 4 programmable input
- ◇ 2 programmable output
- ◇ RS232 for configuration

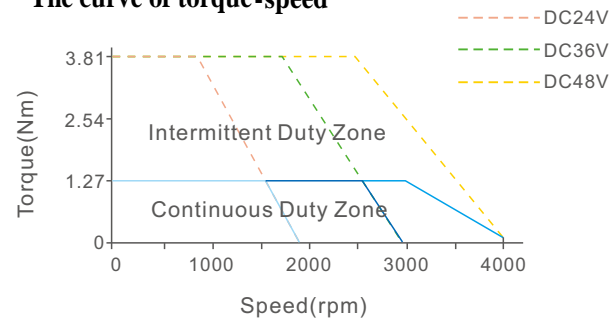
| Part Number | iSV2-RS5740V48H |
|------------------------------|----------------------------------|
| Rated Power(W) | 400 |
| Rated Torque(Nm) | 1.27 |
| Peak Torque(Nm) | 3.81 |
| Rated Speed(rpm) | 3000 |
| Peak Speed(rpm) | 4000 |
| Rated Voltage(Vdc) | 48 |
| Weight(kg) | 1.26 |
| Inertia(Kg.cm ²) | 0.58 |
| Torque(Nm/A) | 0.127 |
| Input Voltage(V) | 24~60 |
| Continuous Current(Arms) | 10 |
| Peak Current(A) | 28 |
| Logic Signal Current(mA) | 10 |
| Isolation Resistance(MΩ) | 100 |
| Protection Level | IP54 for motor IP20 for drive |

Modbus Communication

- ◇ Up to 32 axes supported in one network
- ◇ Modbus RTU based on RS485 communication
- ◇ Built-in indexer , Programmable 16-segment position table, positioning/homing/ limit/ quick stop/ JOG... supported




The curve of torque-speed



Leadshine Technology Co .Ltd

iSV2-RS5740V48H

Integrated servo motor 

48V/400watt/60mm/1.27Nm/No brake