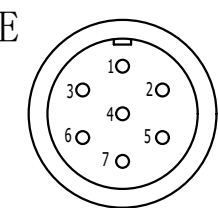
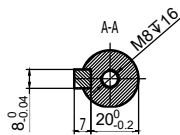
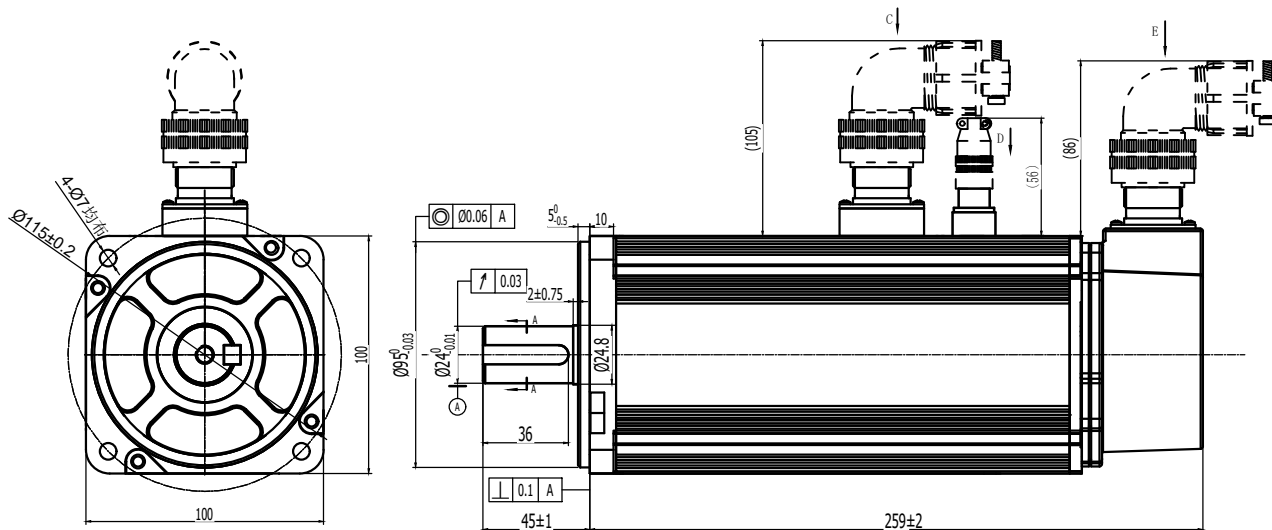
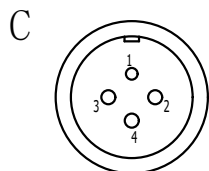
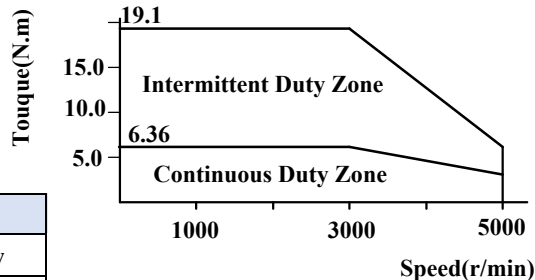


Rated Voltage (Vac)	400
Rated Power (w)	2000
Rated Torque (N.m)	6.36
Peak Torque (N.m)	19.1
Rated Speed (rpm)	3000
Peak Speed (rpm)	5000
Rated Current (Amp)	6.5
Peak Current (Amp)	19.5
Torque Const (N.m/Amp)	0.98
Back EMF Const(V/Krpm)	67.8±5%
Resistance(Ω)	0.98±10%
Inductance(mH)	10.03±20%
Inertia (kg*m ² *10 ⁻⁴)	3.55
Poles	8
Encoder type	23bit optical
IP rating	IP65
Mass (Kg)	7.86
Allowable radial load(N)	490
Allowable thrust load(N)	196

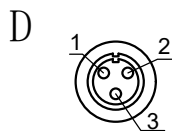


Assignment of power connector with brake							
Pos	1	2	3	4	5	6	7
Signal	PE	+5V	GND	SD+	SD-	E+	E-
Color	/	Red	Black	Blue	Yellow	Brown	White

Brake Specification	
Capacity	22w
Rated Voltage	24vdc±10%
Holding Torque	>=9N.m
Braking Voltage	>18.6V
Releasing Voltage	< 1.5V
Braking time	<100ms
Releasing time	<40ms



Assignment of power connector				
Pos	1	2	3	4
Signal	PE	U	V	W
Color	Yel/Gre	Red	Yellow	Blue



Assignment of power connector			
Pos	1	2	3
Signal	0V	24V	/

Leadshine Technology Co .Ltd

ELM2L-2000LA100ET-H

100mm,low inertia,2000w servo motor
23bit optical encoder, with brake