



Regulated DC Power Supplies



RPS2410



RPS369, RPS488



RPS608 (-L)

Features

- Specifically designed to power stepping / servo drives
- Internal EMI Filter
- 100% full load burn-in test
- Output short circuit, over-current and over-voltage protection

Electrical Specifications

Model		RPS2410	RPS369	RPS488	RPS608 (RPS608-L)
OUTPUT	DC VOLTAGE	24V	36V	48V	60V
	RATED CURRENT	10A	9.7A	7.3 A	8.5A
	PEAK CURRENT	12A	11A	8.5A	10.5A
	RATED POWER	240W	350W	350W	400W
	PEAK POWER	300W	400W	400W	500W
	LINE REGULATION	± 0.5%			
	ADJ. RANGE	± 10%			
	RISE TIME	50ms/230VAC at full load			
	HOLD TIME	20ms/230VAC at full load			
INPUT	VOLTAGE RANGE	176-265VAC or 85-132VAC, selected by switch			176-265VAC (85-132VAC)
	FREQUENCY RANGE	47-63Hz			
	INRUSH CURRENT	40A/30VAC, Cold Start			
	LEAKAGE CURRENT	<0.5mA/230VAC			
	WITHSTAND VOLTAGE	Vin~Vout: 1500VAC/min, Vin~FG: 1500VAC/min, Vout~FG: 500VAC/min			
PROTECTION	OVER VOLTAGE	N/A	59-66V	71-79V	95-105V
		Protection Type: Output shunt down, need to turn off the input to reset.			
	OVER LOAD	110%-130%	110%-130%	110%-130%	110%-130%
	Protection Type: Output shunt down, need to turn off the input to reset.				
DIMENSION (mm)		199*110*50	214.5*113.6*49.5		261*102.4*65
WEIGHT		800.4g (28.23oz)	883.5g (31.16oz)		1127g (39.75oz)



Operating Environment and Parameters

Cooling	Natural cooling or forced cooling	
Operating Environment	Environment	Avoid dust, oil fog and corrosive gases
	Working Temperature	0°C — 45°C @100%
	Humidity	20 — 90%RH
Storage Temperature	-20°C — 85°C	

Mechanical specifications (unit=mm, 1 inch = 25.4 mm)

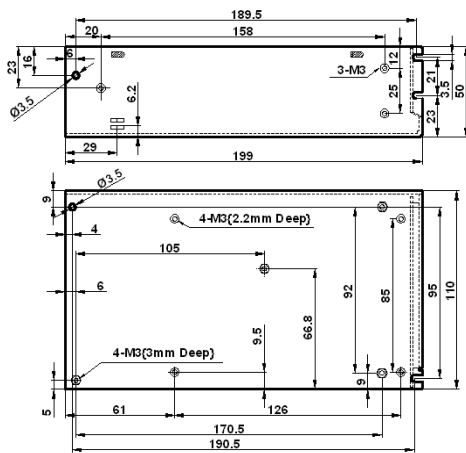


Figure 1: RPS2410(-L) Mechanical Specification

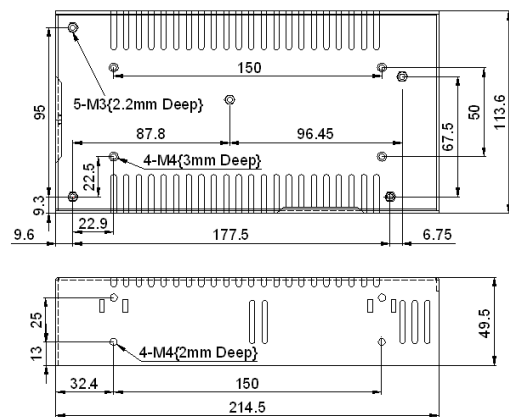


Figure 2: RPS369 and RPS488 Mechanical Specification

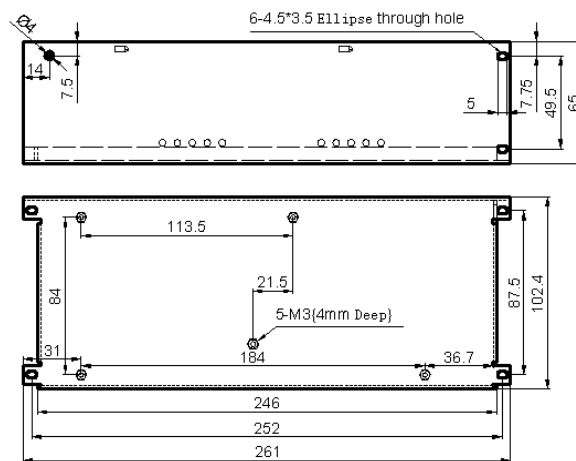


Figure 3: RPS608(-L) Mechanical Specification

Pin Assignment and Description

L	AC power input
N	AC power input
⏏	Ground terminal. Recommend connect this port to the ground for better safety.
COM	DC output negative
+V	DC output positive



Order Information

Model	Description
RPS2410	240W, 24VDC regulated switching power supply. Input:176-265VAC or 176-265VAC。
RPS369	350W, 36VDC regulated switching power supply. Input: 85-132VAC or 176-265VAC
RPS488	350W, 48VDC regulated switching power supply. Input: 85-132VAC or 176-265VAC
RPS608	500W, 60VDC regulated switching power supply. Input:176-265VAC
RPS608-L	500W, 60VDC regulated switching power supply. Input: 85-132VAC