

User's Manual

For

ND556

Low Noise Microstepping Driver

Version 1.0

©2007 All Rights Reserved

Attention: Please read this manual carefully before using the driver!



The content in this manual has been carefully prepared and is believed to be accurate, but no responsibility is assumed for inaccuracies.

Leadshine reserves the right to make changes without further notice to any products herein to improve reliability, function or design. Leadshine does not assume any liability arising out of the application or use of any product or circuit described herein; neither does it convey any license under its patent rights of others.

Leadshine's general policy does not recommend the use of its products in life support or aircraft applications wherein a failure or malfunction of the product may directly threaten life or injury. According to Leadshine's terms and conditions of sales, the user of Leadshine's products in life support or aircraft applications assumes all risks of such use and indemnifies Leadshine against all damages.



Leadshine Technology Co., Ltd.

3/F, Block 2, Nanyou Tianan Industrial Park, Nanshan Dist, Shenzhen, China

T: (86)755-26434369

F: (86)755-26402718

Web site: www.leadshine.com

E-Mail: sales@leadshine.com

©2007 by Leadshine Technology Company Limited.

All Rights Reserved

Contents

| | |
|---|---|
| 1. Introduction, Features and Applications..... | 1 |
| Introduction | 1 |
| Features | 1 |
| Applications | 1 |
| 2. Specifications | 1 |
| Electrical Specifications | 1 |
| Mechanical Specifications..... | 2 |
| Operating Environment and Other Specifications..... | 2 |
| Elimination of Heat | 2 |
| 3. Pin Assignment and Description | 3 |
| Connector P1 Configurations | 3 |
| Connector P2 Configurations | 3 |
| 4. Control Signal Connector (P1) Interface..... | 3 |
| 5. Connecting the Motor..... | 4 |
| Connections to 4-lead Motors | 4 |
| Connections to 6-lead Motors | 5 |
| Half Coil Configurations | 5 |
| Full Coil Configurations..... | 5 |
| Connections to 8-lead Motors | 6 |
| Series Connections | 6 |
| Parallel Connections..... | 6 |
| 6. Power Supply Selection | 6 |
| Regulated or Unregulated Power Supply | 7 |
| Multiple Drivers | 7 |
| Selecting Supply Voltage..... | 7 |
| 7. Selecting Microstep Resolution and Driver Output Current | 7 |
| Current Settings..... | 8 |
| Dynamic Current Setting | 8 |
| Standstill Current Setting | 8 |
| Microstep Resolution Selection..... | 8 |
| 8. Wiring Notes | 9 |
| 9. Typical Connection..... | 9 |

| | |
|---|----|
| 10. Sequence Chart of Control Signals | 10 |
| 11. Protection Functions..... | 11 |
| Over-voltage Protection | 11 |
| Coil-ground Short Circuit Protection | 11 |
| 12. Frequently Asked Questions..... | 11 |
| Problem Symptoms and Possible Causes | 12 |
| APPENDIX | 13 |
| Twelve Month Limited Warranty | 13 |
| Exclusions | 13 |
| Obtaining Warranty Service | 13 |
| Warranty Limitations..... | 13 |
| Shipping Failed Product | 13 |

1. Introduction, Features and Applications

Introduction

The ND556 is a high performance microstepping driver using pure-sinusoidal current control technology. It is particularly suitable for the applications desired with extremely low noise and low heating, compared with microstepping drivers which apply pseudo-sinusoidal current control technology. Because pseudo-sinusoidal current control technology may make the output current to be a distorted sine wave or generates larger current ripple, and both of them may cause the motor working in a higher noise, bigger vibration and higher temperature condition. If the motor works in that condition for a long time, that may decrease motor torque, accelerate motor aging and short motor's operating life. However the pseudo-sine precise current control technology applied by the ND556 can solve above problems very well and therefore the ND556 can make stepping motors offer servo-like performances. Compared to the MD556, it offers higher performance-price ratio.

Features

- Pure-sinusoidal precise current control technology
- Extremely low motor noise
- Both driver and motor are low heating
- High performance, low cost
- Supply voltage up to +50VDC
- Peak current up to 5.6A (4.0A RMS)
- Optically isolated differential inputs
- Pulse frequency up to 400 KHz
- Automatic idle-current reduction
- 15 selectable resolutions in decimal and binary
- Suitable for 2-phase and 4-phase motors
- DIP switch current setting with 8 different values
- Over-voltage and short-circuit protection
- Small size (118x75.5x34mm)

Applications

Suitable for medium and small-sized stepping motors from NEMA size 17 to 34. It can be used in various kinds of automatic equipments and devices, such as carving machines, laser cutters, laser phototypesetting systems, plotting instruments, NC machines, pick-place devices, and etc. It is specially adapted to extremely low noise, low vibration and high precision equipments.

2. Specifications

Electrical Specifications ($T_j = 25^\circ\text{C}$)

| Parameters | ND556 | | | |
|-----------------------|----------------|---------|----------------|------|
| | Min | Typical | Max | Unit |
| Output Current | 1.4 (1.0A RMS) | - | 5.6 (4.0A RMS) | A |
| Supply voltage | 20 | 36 | 50 | VDC |
| Logic signal current | 7 | 10 | 16 | mA |
| Pulse input frequency | 0 | - | 400 | KHz |
| Isolation resistance | 500 | | | MΩ |

Mechanical Specifications (unit: mm, 1 inch = 25.4 mm)

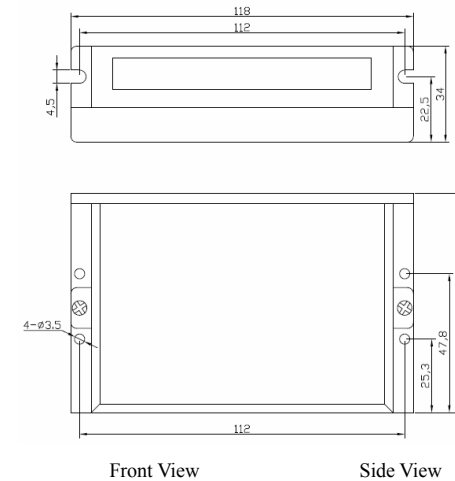


Figure 1: Mechanical dimensions

*Recommend use side mounting for better heat dissipation

Operating Environment and Other Specifications

| Cooling | Natural Cooling or Forced cooling | |
|-----------------------|-----------------------------------|---|
| Operating Environment | Environment | Avoid dust, oil fog and corrosive gases |
| | Ambient Temperature | 0°C — 50°C |
| | Humidity | 40%RH — 90%RH |
| | Operating Temperature | 70°C Max |
| | Vibration | 5.9m/s ² Max |
| Storage Temperature | -20°C — 65°C | |
| Weight | Approx. 280 gram (9.9 oz) | |

Elimination of Heat

- Driver's reliable working temperature should be <65°C, motor working temperature should be <80°C;
- Recommend use automatic idle-current reduction mode, namely current automatically be reduced to 60% when motor stops, so as to decrease driver heating and motor heating;
- Recommend use side mounting to maximize heatsink area.

3. Pin Assignment and Description

The ND556 has two connectors, connector P1 for control signals connections, and connector P2 for power and motor connections. The following tables are brief descriptions of the two connectors of the ND556. More detailed descriptions of the pins and related issues are presented in section 4, 5, 9.

Connector P1 Configurations

| Pin Function | Details |
|--------------|--|
| PUL + (+5V) | Pulse signal: This input represents pulse signal, active at each rising edge; 4-5V when PUL-HIGH, 0-0.5V when PUL-LOW. For reliable response, pulse width should be longer than 1.2μs. Series connect resistors for current-limiting when +12V or +24V used. |
| PUL- (PUL) | |
| DIR+ (+5V) | Direction signal: HIGH/LOW level signal, correlative to motor rotation direction. For reliable response, DIR must be ahead of PUL by 5μs at least. 4-5V when DIR- HIGH, 0-0.5V when DIR-LOW. Please note that motor rotation direction also depends upon the connection of the motor windings, exchange any motor phase can reverse motor rotation direction. |
| DIR- (DIR) | |
| ENA+ (+5V) | Enable signal: This signal is used for enabling/disabling the driver. High level (NPN control signal, PNP and Differential control signals are on the contrary, namely Low level for enabling.) for enabling the driver and low level for disabling the driver. Usually left UNCONNECTED (ENABLED) . |
| ENA- (ENA) | |

Connector P2 Configurations

| Pin Function | Details |
|--------------|---|
| GND | DC power ground |
| +V | DC power supply, 20~50VDC, Including voltage fluctuation and EMF voltage. |
| A+, A- | Motor Phase A |
| B+, B- | Motor Phase B |

4. Control Signal Connector (P1) Interface

The ND556 can accept differential and single-ended inputs (including open-collector and PNP output). The ND556 has 3 optically isolated logic inputs which are located on connector P1 to accept line driver control signals. These inputs are isolated to minimize or eliminate electrical noises coupled onto the drive control signals. Recommend use line driver control signals to increase noise immunity of the driver in interference environments. In the following figures, connections to open-collector and

PNP signals are illustrated.

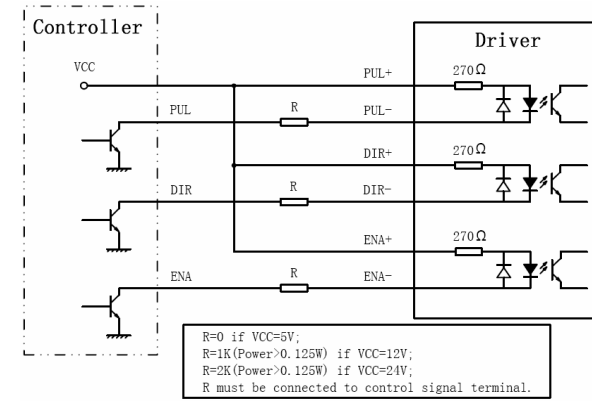


Figure 2: Connections to open-collector signal (common-anode)

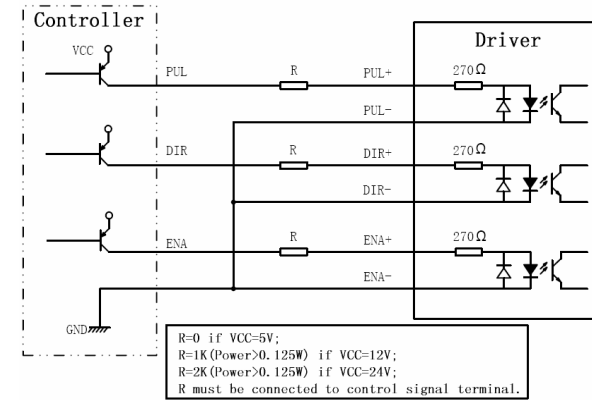


Figure 3: Connection to PNP signal (common-cathode)

5. Connecting the Motor

The ND556 driver can drive any 2-phase and 4-phase hybrid stepping motors.

Connections to 4-lead Motors

4 lead motors are the least flexible but easiest to wire. Speed and torque will depend on winding inductance. In setting the driver output current, multiply the specified phase current by 1.4 to determine the peak output current.

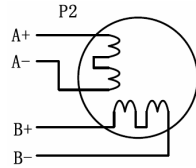


Figure 4: 4-lead Motor Connections

Connections to 6-lead Motors

Like 8 lead stepping motors, 6 lead motors have two configurations available for high speed or high torque operation. The higher speed configuration, or half coil, is so described because it uses one half of the motor's inductor windings. The higher torque configuration, or full coil, uses the full windings of the phases.

Half Coil Configurations

As previously stated, the half coil configuration uses 50% of the motor phase windings. This gives lower inductance, hence, lower torque output. Like the parallel connection of 8 lead motor, the torque output will be more stable at higher speeds. This configuration is also referred to as half chopper. In setting the driver output current multiply the specified per phase (or unipolar) current rating by 1.4 to determine the peak output current.

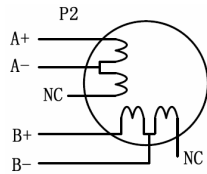


Figure 5: 6-lead motor half coil (higher speed) connections

Full Coil Configurations

The full coil configuration on a six lead motor should be used in applications where higher torque at lower speeds is desired. This configuration is also referred to as full copper. In full coil mode, the motors should be run at only 70% of their rated current to prevent over heating.

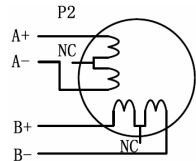


Figure 6: 6-lead motor full coil (higher torque) connections

Connections to 8-lead Motors

8 lead motors offer a high degree of flexibility to the system designer in that they may be connected in series or parallel, thus satisfying a wide range of applications.

Series Connections

A series motor configuration would typically be used in applications where a higher torque at lower speeds is required. Because this configuration has the most inductance, the performance will start to degrade at higher speeds. In series mode, the motors should also be run at only 70% of their rated current to prevent over heating.

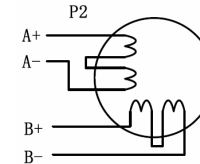


Figure 7: 8-lead motor series connections

Parallel Connections

An 8 lead motor in a parallel configuration offers a more stable, but lower torque at lower speeds. But because of the lower inductance, there will be higher torque at higher speeds. Multiply the per phase (or unipolar) current rating by 1.96, or the bipolar current rating by 1.4, to determine the peak output current.

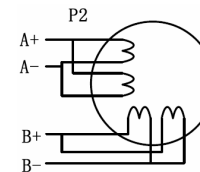


Figure 8: 8-lead motor parallel connections

6. Power Supply Selection

The ND556 can match medium and small size stepping motors (from NEMA size 17 to 34) made by Leadshine or other motor manufactures around the world. To achieve good driving performances, it is important to select supply voltage and output current properly. Generally speaking, supply voltage determines the high speed performance of the motor, while output current determines the output torque of the driven motor (particularly at lower speed). Higher supply voltage will allow higher motor speed to be achieved, at the price of more noise and heating. If the motion speed requirement is

low, it's better to use lower supply voltage to decrease noise, heating and improve reliability.

Regulated or Unregulated Power Supply

Both regulated and unregulated power supplies can be used to supply the driver. However, unregulated power supplies are preferred due to their ability to withstand current surge. If regulated power supplies (such as most switching supplies.) are indeed used, it is important to have large current output rating to avoid problems like current clamp, for example using 4A supply for 3A motor-driver operation. On the other hand, if unregulated supply is used, one may use a power supply of lower current rating than that of motor (typically 50%~70% of motor current). The reason is that the driver draws current from the power supply capacitor of the unregulated supply only during the ON duration of the PWM cycle, but not during the OFF duration. Therefore, the average current withdrawn from power supply is considerably less than motor current. For example, two 3A motors can be well supplied by one power supply of 4A rating.

Multiple Drivers

It is recommended to have multiple drivers to share one power supply to reduce cost, if the supply has enough capacity. To avoid cross interference, **DO NOT** daisy-chain the power supply input pins of the drivers. (Instead, please connect them to power supply separately.)

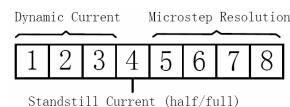
Attention: NEVER connect power and ground in the wrong direction, as it will damage the ND556.

Selecting Supply Voltage

The power MOSFETS inside the ND556 can actually operate within +20V—+50VDC, including power input fluctuation and back EMF voltage generated by motor coils during motor shaft deceleration. Higher supply voltage can increase motor torque at higher speeds, thus helpful for avoiding losing steps. However, higher voltage may cause bigger motor vibration at lower speed, and it may also cause over-voltage protection or even driver damage. Therefore, it is suggested to choose only sufficiently high supply voltage for intended applications, and it is suggested to use power supplies with theoretical output voltage of +24~+ 45V, leaving room for power fluctuation and back-EMF.

7. Selecting Microstep Resolution and Driver Output Current

The ND556 uses an 8-bit DIP switch to set microstep resolution, and motor operating current, as shown in the following figure:



Current Settings

For a given motor, higher driver current will make the motor to output more torque, but at the same time causes more heating in the motor and driver. Therefore, output current is generally set to be such that the motor will not overheat for long time operation. Since parallel and serial connections of motor coils will significantly change resulting inductance and resistance, it is therefore important to set driver output current depending on motor phase current, motor leads and connection methods. Phase current rating supplied by motor manufacturer is important in selecting driver current, however the selection also depends on leads and connections.

The first three bits (SW1, 2, 3) of the DIP switch are used to set the dynamic current. Select a setting closest to your motor's required current.

Dynamic Current Setting

| Peak current (A) | RMS (A) | SW1 | SW2 | SW3 |
|------------------|---------|-----|-----|-----|
| 1.4 | 1.0 | OFF | OFF | OFF |
| 2.1 | 1.5 | ON | OFF | OFF |
| 2.7 | 1.9 | OFF | ON | OFF |
| 3.2 | 2.3 | ON | ON | OFF |
| 3.8 | 2.7 | OFF | OFF | ON |
| 4.3 | 3.1 | ON | OFF | ON |
| 4.9 | 3.5 | OFF | ON | ON |
| 5.6 | 4.0 | ON | ON | ON |

Notes: Due to motor inductance, the actual current in the coil may be smaller than the dynamic current settings, particularly under high speed condition.

Standstill Current Setting

SW4 is used for this purpose. OFF meaning that the standstill current is set to be half of the selected dynamic current, and ON meaning that standstill current is set to be the same as the selected dynamic current.

The current automatically be reduced to 60% of the selected dynamic current one second after the last pulse. Theoretically, this will reduce motor heating to 36% (due to $P=I^2 \cdot R$) of the original value. If the application needs a different standstill current, please contact Leadshine.

Microstep Resolution Selection

Microstep resolution is set by SW5, 6, 7, 8 of the DIP switch as shown in the following table:

| Microstep | Steps/rev.(for 1.8°motor) | SW5 | SW6 | SW7 | SW8 |
|-----------|---------------------------|-----|-----|-----|-----|
| 2 | 400 | OFF | ON | ON | ON |
| 4 | 800 | ON | OFF | ON | ON |
| 8 | 1600 | OFF | OFF | ON | ON |
| 16 | 3200 | ON | ON | OFF | ON |
| 32 | 6400 | OFF | ON | OFF | ON |
| 64 | 12800 | ON | OFF | OFF | ON |
| 128 | 25600 | OFF | OFF | OFF | ON |
| 5 | 1000 | ON | ON | ON | OFF |
| 10 | 2000 | OFF | ON | ON | OFF |
| 20 | 4000 | ON | OFF | ON | OFF |
| 25 | 5000 | OFF | OFF | ON | OFF |
| 40 | 8000 | ON | ON | OFF | OFF |
| 50 | 10000 | OFF | ON | OFF | OFF |
| 100 | 20000 | ON | OFF | OFF | OFF |
| 125 | 25000 | OFF | OFF | OFF | OFF |

8. Wiring Notes

- In order to improve anti-interference performance of the driver, it is recommended to use twisted pair shield cable.
- To prevent noise incurred in pulse/dir signal, pulse/direction signal wires and motor wires should not be tied up together. It is better to separate them by at least 10 cm, otherwise the disturbing signals generated by motor will easily disturb pulse direction signals, causing motor position error, system instability and other failures.
- If a power supply serves several drivers, separately connecting drivers is recommended instead of daisy-chaining.
- It is prohibited to pull and plug connector P2 while the driver is powered ON, because there is high current flowing through motor coils (even when motor is at standstill). Pulling or plugging connector P2 with power on will cause extremely high back-EMF voltage surge, which may damage the driver.

9. Typical Connection

A complete stepping system should include stepping motor, stepping driver, power supply and controller (pulse generator). A typical connection is shown as figure 9.

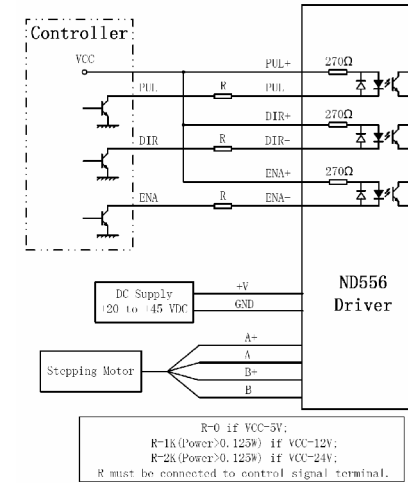


Figure 9: Typical connection

10. Sequence Chart of Control Signals

In order to avoid some fault operations and deviations, PUL, DIR and ENA should abide by some rules, shown as following diagram:

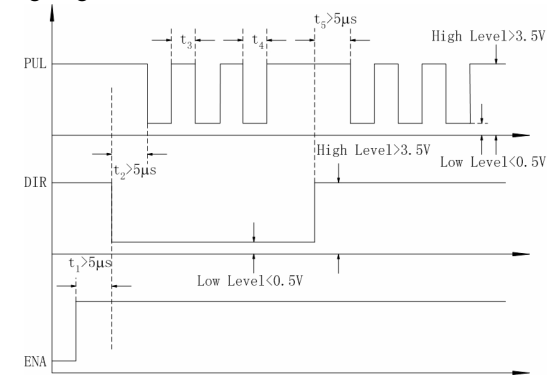


Figure10: Sequence chart of control signals

Notes:

- (1) t_1 : ENA must be ahead of DIR by at least $5\mu s$. Usually, ENA+ and ENA- are NC (not connected). See “Connector P1 Configurations” for more information.
- (2) t_2 : DIR must be ahead of PUL active edge by at least $5\mu s$ to ensure correct direction;
- (3) t_3 : Pulse width not less than $1.2\mu s$;

(4) t_4 : low level width not less than 1.2 μ s.

11. Protection Functions

To improve reliability, the driver incorporates some built-in protections features.

Over-voltage Protection

When power supply voltage exceeds +52VDC, protection will be activated and power indicator LED will turn red. When power supply voltage is lower than +18VDC, the driver will not works properly.

Coil-ground Short Circuit Protection

Protection will be activated in case of short circuit between motor coil and ground.

When the protection is active, the user should turn off the driver and clear the fault, and then repower the driver.

Attention: Since there is no protection against power leads (+ , -) reversal, it is critical to make sure that power supply leads correctly connected to the driver. Otherwise, the driver will be damaged instantly.

12. Frequently Asked Questions

In the event that your ND556 doesn't operate properly, the first step is to identify whether the problem is electrical or mechanical in nature. The next step is to isolate the system component that is causing the problem. As part of this process you may have to disconnect the individual components that make up your system and verify that they operate independently. It is important to document each step in the troubleshooting process. You may need this documentation to refer back to at a later date, and these details will greatly assist our Technical Support staff in determining the problem should you need assistance.

Many of the problems that affect motion control systems can be traced to electrical noise, controller software errors, or mistake in wiring.

Problem Symptoms and Possible Causes

| Symptoms | Possible Problems |
|---|---|
| Motor is not rotating | No power |
| | Microstep resolution setting is wrong |
| | DIP switch current setting is wrong |
| | Fault condition exists |
| | The driver is disabled |
| Motor rotates in the wrong direction | Motor phases may be connected in reverse |
| The driver in fault | DIP switch current setting is wrong |
| | Something wrong with motor coil |
| Erratic motor motion | Control signal is too weak |
| | Control signal is interfered |
| | Wrong motor connection |
| | Something wrong with motor coil |
| Motor stalls during acceleration | Current setting is too small, losing steps |
| | Current setting is too small |
| | Motor is undersized for the application |
| | Acceleration is set too high |
| | Power supply voltage too low |
| Excessive motor and driver heating | Inadequate heat sinking / cooling |
| | Automatic current reduction function not being utilized |
| | Current is set too high |

APPENDIX

Twelve Month Limited Warranty

Leadshine Technology Co., Ltd. warrants its products against defects in materials and workmanship for a period of 12 months from shipment out of factory. During the warranty period, Leadshine will either, at its option, repair or replace products which proved to be defective.

Exclusions

The above warranty does not extend to any product damaged by reasons of improper or inadequate handlings by customer, improper or inadequate customer wirings, unauthorized modification or misuse, or operation beyond the electrical specifications of the product and/or operation beyond environmental specifications for the product.

Obtaining Warranty Service

To obtain warranty service, a returned material authorization number (RMA) must be obtained from customer service at e-mail: tech@leadshine.com before returning product for service. Customer shall prepay shipping charges for products returned to Leadshine for warranty service, and Leadshine shall pay for return of products to customer.

Warranty Limitations

Leadshine makes no other warranty, either expressed or implied, with respect to the product. Leadshine specifically disclaims the implied warranties of merchantability and fitness for a particular purpose. Some jurisdictions do not allow limitations on how long and implied warranty lasts, so the above limitation or exclusion may not apply to you. However, any implied warranty of merchantability or fitness is limited to the 12-month duration of this written warranty.

Shipping Failed Product

If your product fail during the warranty period, e-mail customer service at tech@leadshine.com to obtain a returned material authorization number (RMA) before returning product for service. Please include a written description of the problem along with contact name and address. Send failed product to distributor in your area or: Leadshine Technology Co., Ltd. Floor 3, Block 2, Nanyou Tianan Industrial Park, Nanshan Dist, Shenzhen, China. Also enclose information regarding the circumstances prior to product failure.