

User's Manual

For

ND1082

High Performance & Low Noise Microstepping Driver

Version 1.0

©2007 All Rights Reserved

Attention: Please read this manual carefully before using the driver!



Leadshine Technology Co., Ltd.

3/F, Block 2, Nanyou Tianan Industrial Park, Nanshan Dist, Shenzhen, China

T: (86)755-26434369

F: (86)755-26402718

Web site: www.leadshine.com

E-Mail: sales@leadshine.com

The content in this manual has been carefully prepared and is believed to be accurate, but no responsibility is assumed for inaccuracies.

Leadshine reserves the right to make changes without further notice to any products herein to improve reliability, function or design. Leadshine does not assume any liability arising out of the application or use of any product or circuit described herein; neither does it convey any license under its patent rights of others.

Leadshine's general policy does not recommend the use of its products in life support or aircraft applications wherein a failure or malfunction of the product may directly threaten life or injury. According to Leadshine's terms and conditions of sales, the user of Leadshine's products in life support or aircraft applications assumes all risks of such use and indemnifies Leadshine against all damages.

©2007 by Leadshine Technology Company Limited.
All Rights Reserved

Table of contents

1. Introduction, Features and Applications.....	1
Introduction	1
Features	1
Applications	1
2. Specifications	1
Electrical Specifications	1
Mechanical Specifications.....	2
Operating Environment and Other Specifications.....	2
Elimination of Heat	2
3. Pin Assignment and Description	3
Connector P1 Configurations	3
Selecting PUL/DIR or CW/CCW Mode	3
Connector P2 Configurations	4
4. Control Signal Connector (P1) Interface.....	4
5. Connecting the Motor.....	5
Connections to 4-lead Motors	5
Connections to 6-lead Motors	5
Half Coil Configurations	5
Full Coil Configurations.....	6
Connections to 8-lead Motors	6
Series Connections	6
Parallel Connections.....	7
6. Power Supply Selection	7
Selecting Supply Voltage.....	7
7. Selecting Microstep Resolution and Driver Output Current	8
Microstep Resolution Selection.....	8
Current Settings.....	8
Dynamic Current Setting.....	9
Standstill Current.....	9
8. Wiring Notes	9

9. Typical Connection.....	10
10. Sequence Chart of Control Signals	10
11. Protection Functions.....	11
Over-voltage and Short-voltage Protections.....	11
Short Circuit Protection.....	11
Wrong Motor Connection Protection	11
12. Frequently Asked Questions.....	12
Problem Symptoms and Possible Causes	12
APPENDIX	15
Twelve Month Limited Warranty	15
Exclusions	15
Obtaining Warranty Service	15
Warranty Limitations.....	15
Shipping Failed Product	15

1. Introduction, Features and Applications

Introduction

The ND1082 is a high performance and low noise microstepping driver based on pure-sinusoidal current control technology. It's suitable for driving 2-phase and 4-phase hybrid stepping motors. By using advanced bipolar constant-current chopping technique, the ND1082 can output more torque than other drivers at high speed. The microstep capability allows stepping motors to run at higher smoothness, less vibration and lower noise. Its pure-sinusoidal current control technology allows coil current to be well controlled with relatively small current ripple, therefore smaller motor noise and less motor heating can be achieved. In addition, the ND1082 has a built-in EMI filter which can make the driver operate with higher reliability.

Features

- High quality, cost-effective
- Low motor noise and heating
- Supply voltage up to 100VAC(140VDC)
- Output current up to 8.2A(5.86 A RMS)
- TTL compatible and opto-isolated inputs
- Automatic idle-current reduction
- Input frequency up to 400 KHz
- 15 microstep resolutions selectable
- Suitable for 2-phase and 4-phase stepping motors
- DIP switch microstep & current settings
- Support PUL/DIR & CW/CCW modes

Applications

Suitable for large and medium automation machines and equipments, such as engraving machines, labeling machines, cutting machines, laser phototypesetting systems, plotting instruments, NC machines, pick-place devices, and so on. Particularly adapt to the applications desired with low motor noise, low heating, high speed and high precision.

2. Specifications

Electrical Specifications (T_j = 25°C)

Parameters	ND1082			Unit
	Min	Typical	Max	
Output current	0.7 (0.3A RMS)	-	8.2	A
Supply voltage	60 (84)	80 (100)	100 (140)	VAC (VDC)
Logic signal current	7	10	16	mA
Pulse input frequency	0	-	400	KHz
Isolation resistance	500			MΩ

Mechanical Specifications (unit: mm, 1 inch = 25.4 mm)

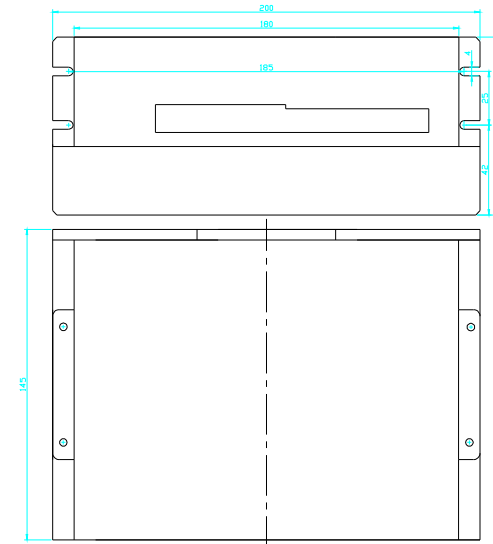


Figure 1: Mechanical specifications

Operating Environment and Other Specifications

Cooling	Natural Cooling or Forced cooling	
Operating Environment	Environment	Avoid dust, oil fog and corrosive gases
	Ambient Temperature	0°C — 50°C
	Humidity	40%RH — 90%RH
	Operating Temperature	70°C Max
	Vibration	5.9m/s ² Max
Storage Temperature	-20°C ~ 65°C	
Weight	Approx. 1.7 kg (59.97 oz)	

Elimination of Heat

- Driver's reliable working temperature should be <65°C, motor working temperature should be <80°C.
- Forced cooling the driver if it's necessary.

3. Pin Assignment and Description

The ND1082 has two connectors, connector P1 for control signals connections, and connector P2 for power and motor connections. The following tables are brief descriptions of the two connectors of the ND1082. More detailed descriptions of the pins and related issues are presented in section 4, 5, 9.

Connector P1 Configurations

Pin Function	Details
PUL+	Pulse signal: In single pulse (pulse/direction) mode, this input represents pulse signal, and its effective edge can be set by Pin1 to Pin3 of the JP1 jumper; 4-5V when PUL-HIGH, 0-0.5V when PUL-LOW. In double pulse mode (pulse/pulse), this input represents clockwise (CW) pulse, effective level can be set by the JP1 jumper. Please refer to “Selecting PUL/DIR or CW/CCW Mode” section. For reliable response, pulse width should be longer than 1.2μs. Series connect resistors for current-limiting when +12V or +24V used.
PUL-	DIR signal: In single-pulse mode, this signal is LOW or HIGH voltage levels, representing two directions of motor rotation; in double-pulse mode (set by JP1 jumper), this signal is counter-clock (CCW) pulse, effective level can be set by the JP1 jumper. For reliable motion response, DIR signal should be ahead of PUL signal by 5μs at least. 4-5V when DIR-HIGH, 0-0.5V when DIR-LOW. Please note that motion direction is also related to motor-driver wiring match. Exchanging the connection of two wires for a coil to the driver will reverse motion direction.
DIR+	Enable signal: This signal is used for enabling/disabling the driver. High level (NPN control signal, PNP and Differential control signals are on the contrary, namely Low level for enabling.) for enabling the driver and low level for disabling the driver. Usually left UNCONNECTED (ENABLED) .
DIR-	Alarm signal positive: FAULT+ is an optocoupler output from open-collector circuit, maximum permitted input voltage is 30VDC; maximum output current is 20mA. It generally can be serial connected to PLC input terminal. When this port is connected to +5V, a pull-up/ pull-down resistor (270 Ω, 0.25W) is necessary to be connected in the circuit for current limiting. While for +12V, a pull-up/ pull-down resistor (1000 Ω, 0.5W) is necessary, and for +24V a pull-up/ pull-down resistor (2000 Ω, 1W) is necessary
ENA+	Alarm signal negative pole.
ENA-	
FAULT+	
FAULT-	

Selecting PUL/DIR or CW/CCW Mode

There is a jumper JP1 (including pin 1 to pin 12) inside the ND1082 specifically for selecting control signal modes. Settings for the one-pulse mode (PUL/DIR) and for the double-pulse mode (CW/CCW) are shown in the following figure. Default mode out of factory is PUL/DIR mode, and both PUL and DIR control signals are effective at rising edge.

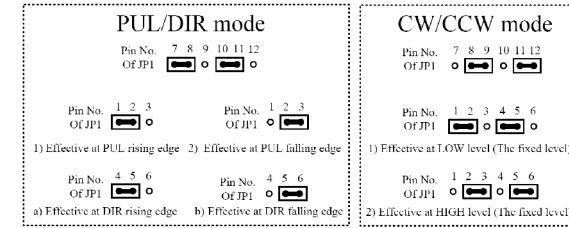


Figure 2: Control signal mode setting jumper

Connector P2 Configurations

Pin Function	Details
AC	AC power supply inputs. Recommend use isolation transformers with theoretical output voltage of 60 ~ 100 VAC or 84 ~ 140 VDC power supplies, leaving room for power fluctuation and back-EMF.
AC	
A+, A-	Motor phase A.
B+, B-	Motor phase B.
PE	Ground terminal. Recommend connect this port to the ground for better safety.

4. Control Signal Connector (P1) Interface

The ND1082 can accept differential and single-ended input signals (including open-collector and PNP output). The ND1082 has 3 optically isolated logic inputs which are located on connector P1 to accept line driver control signals. These inputs are isolated to minimize or eliminate electrical noises coupled onto the drive control signals. Recommend use line driver control signals to increase noise immunity of the driver in interference environments. In the following figures, connections to open-collector and PNP signals are illustrated.

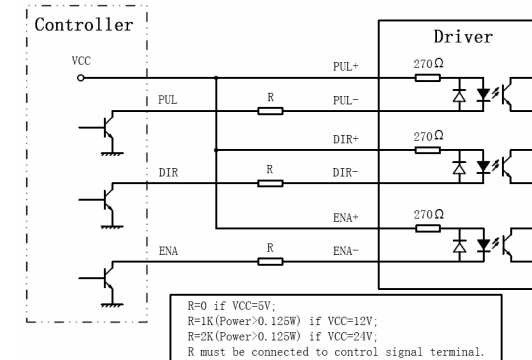


Figure 2: Connections to open-collector signal (common-anode)

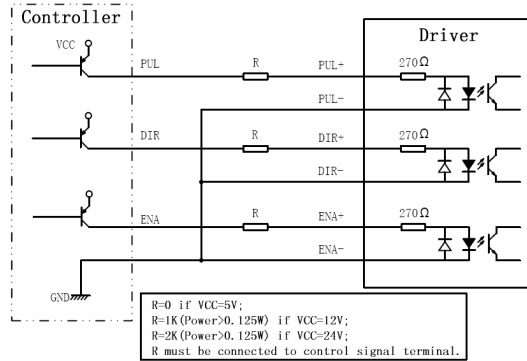


Figure 3: Connection to PNP signal (common-cathode)

5. Connecting the Motor

The ND1082 can drive 2-phase and 4-phase hybrid stepping motors.

Connections to 4-lead Motors

4 lead motors are the least flexible but easiest to wire. Speed and torque will depend on winding inductance. In setting the driver output current, multiply the specified phase current by 1.4 to determine the peak output current.

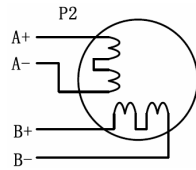


Figure 4: 4-lead Motor Connections

Connections to 6-lead Motors

Like 8 lead stepping motors, 6 lead motors have two configurations available for high speed or high torque operation. The higher speed configuration, or half coil, is so described because it uses one half of the motor's inductor windings. The higher torque configuration, or full coil, uses the full windings of the phases.

Half Coil Configurations

As previously stated, the half coil configuration uses 50% of the motor phase windings. This gives lower inductance, hence, lower torque output. Like the parallel connection of 8 lead motor, the torque

output will be more stable at higher speeds. This configuration is also referred to as half chopper. In setting the driver output current multiply the specified per phase (or unipolar) current rating by 1.4 to determine the peak output current.

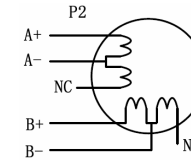


Figure 5: 6-lead motor half coil (higher speed) connections

Full Coil Configurations

The full coil configuration on a six lead motor should be used in applications where higher torque at lower speeds is desired. This configuration is also referred to as full copper. In full coil mode, the motors should be run at only 70% of their rated current to prevent over heating.

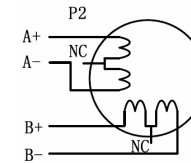


Figure 6: 6-lead motor full coil (higher torque) connections

Connections to 8-lead Motors

8 lead motors offer a high degree of flexibility to the system designer in that they may be connected in series or parallel, thus satisfying a wide range of applications.

Series Connections

A series motor configuration would typically be used in applications where a higher torque at lower speeds is required. Because this configuration has the most inductance, the performance will start to degrade at higher speeds. In series mode, the motors should also be run at only 70% of their rated current to prevent over heating.

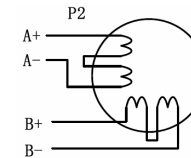


Figure 7: 8-lead motor series connections

Parallel Connections

An 8 lead motor in a parallel configuration offers a more stable, but lower torque at lower speeds. But because of the lower inductance, there will be higher torque at higher speeds. Multiply the per phase (or unipolar) current rating by 1.96, or the bipolar current rating by 1.4, to determine the peak output current.

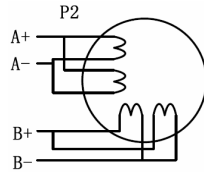


Figure 8: 8-lead motor parallel connections

6. Power Supply Selection

The ND1082 can match large and medium size stepping motors (from NEMA size 34 to 42) made by Leadshine or other motor manufactures around the world. To achieve good driving performances, it is important to select supply voltage and output current properly. Generally speaking, supply voltage determines the high speed performance of the motor, while output current determines the output torque of the driven motor (particularly at lower speed).

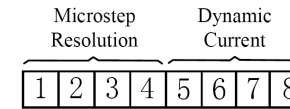
Attention: For safety and to improve reliability, it is recommended to use isolation transformer instead of directly use network source to supply the ND1082. Recommend use isolation transformers with theoretical output voltage of 60~90VAC or 84VDC~126VDC, leaving room for power fluctuation and back-EMF. And the power of the isolation transformer should larger than 500 watts.

Selecting Supply Voltage

The ND1082 can actually operate within 60~100VAC or 84~140VDC, including power input fluctuation and back EMF voltage generated by motor coils during motor shaft deceleration. Higher supply voltage can increase motor torque at higher speeds, thus helpful for avoiding losing steps. However, higher voltage may cause bigger motor vibration at lower speed, and it may also cause over-voltage protection or even driver damage. Therefore, it is suggested to choose only sufficiently high supply voltage for intended applications, and it is suggested to use power supplies with theoretical output voltage of 60~90VAC or 84VDC~126VDC, leaving room for power fluctuation and back-EMF. If the motion speed requirement is low, it's better to use lower supply voltage to decrease noise, heating and improve reliability.

7. Selecting Microstep Resolution and Driver Output Current

This driver uses an 8-bit DIP switch to set microstep resolution, motor operating current and control signal mode as shown in the following figure:



Microstep Resolution Selection

Microstep resolution is set by SW1, 2, 3, 4 of the DIP switch as shown in the following table:

Steps/rev.(for 1.8°motor)	SW1	SW2	SW3	SW4
400	ON	ON	ON	ON
400	OFF	ON	ON	ON
800	ON	OFF	ON	ON
1600	OFF	OFF	ON	ON
3200	ON	ON	OFF	ON
6400	OFF	ON	OFF	ON
12800	ON	OFF	OFF	ON
25600	OFF	OFF	OFF	ON
1000	ON	ON	ON	OFF
2000	OFF	ON	ON	OFF
4000	ON	OFF	ON	OFF
5000	OFF	OFF	ON	OFF
8000	ON	ON	OFF	OFF
10000	OFF	ON	OFF	OFF
20000	ON	OFF	OFF	OFF
25000	OFF	OFF	OFF	OFF

Current Settings

For a given motor, higher driver current will make the motor to output more torque, but at the same time causes more heating in the motor and driver. Therefore, output current is generally set to be such that the motor will not overheat for long time operation. Since parallel and serial connections of motor coils will significantly change resulting inductance and resistance, it is therefore important to set driver output current depending on motor phase current, motor leads and connection methods. Phase current rating supplied by motor manufacturer is important in selecting driver current, however

the selection also depends on leads and connections.

The latter four bits (SW5, 6, 7, 8) of the DIP switch are used to set the dynamic current. Select a setting closest to your motor's required current.

Dynamic Current Setting

Peak current (A)	RMS (A)	SW6	SW7	SW8	SW9
0.7A	0.5A	off	off	off	off
1.2A	0.86A	off	off	off	on
1.72A	1.23A	off	off	on	off
2.2A	1.57A	off	off	on	on
2.75A	1.96A	off	on	off	off
3.28A	2.34A	off	on	off	on
3.75A	2.68A	off	on	on	off
4.22A	3.01A	off	on	on	on
4.72A	3.37A	on	off	off	off
5.2A	3.71A	on	off	off	on
5.78A	4.13A	on	off	on	off
6.25A	4.46A	on	off	on	on
6.78A	4.84A	on	on	off	off
7.31A	5.22A	on	on	off	on
7.81A	5.58A	on	on	on	off
8.2A	5.86A	on	on	on	on

Notes: Due to motor inductance, the actual current in the coil may be smaller than the dynamic current setting, particularly under high speed condition.

Standstill Current

The ND1082 has automatic idle-current reduction function. The current automatically be reduced to 60% of the selected dynamic current setting 0.1 second after the last pulse. Theoretically, this will reduce motor heating to 36% (due to $P=I^2 \cdot R$) of the original value. If the application needs a different standstill current, please contact Leadshine.

8. Wiring Notes

- In order to improve anti-interference performance of the driver, it is recommended to use twisted pair shield cable.
- To prevent noise incurred in pulse/dir signal, pulse/direction signal wires and motor wires should not be tied up together. It is better to separate them by at least 10 cm, otherwise the disturbing signals generated by motor will easily disturb pulse direction signals, causing motor

position error, system instability and other failures.

- If a power supply serves several drivers, separately connecting the drivers is recommended instead of daisy-chaining.
- It is prohibited to pull and plug connector P2 while the driver is powered ON, because there is high current flowing through motor coils (even when motor is at standstill). Pulling or plugging connector P2 with power on will cause extremely high back-EMF voltage surge, which may damage the driver.

9. Typical Connection

A complete stepping system should include stepping motor, stepping driver, power supply and controller (pulse generator). A typical connection is shown as figure 9.

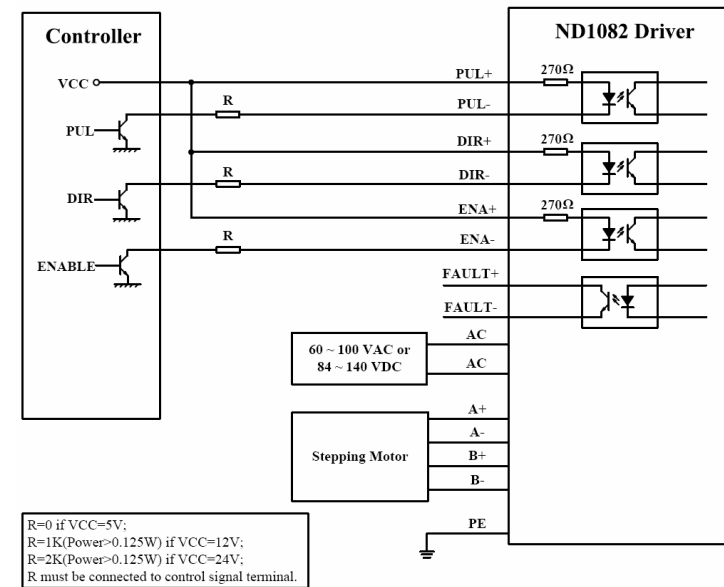


Figure 9: Typical connection

10. Sequence Chart of Control Signals

In order to avoid some fault operations and deviations, PUL, DIR and ENA signals should abide by some rules, shown as following diagram:

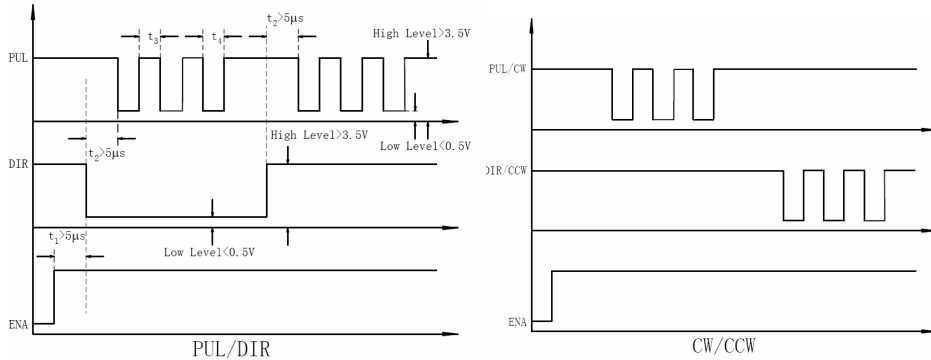


Figure 11: Sequence chart of control signals

Remark:

- (1) t1: ENA must be ahead of DIR by at least 5μs. Usually, ENA+ and ENA- are NC (not connected). See “Connector P1 Configurations” for more information.
- (2) t2: DIR must be ahead of PUL effective edge by at least 5μs to ensure correct direction;
- (3) t3: Pulse width not less than 1.2μs;
- (4) t4: Low level width not less than 1.2μs.

11. Protection Functions

To improve reliability, the driver incorporates some built-in protection features.

Over-voltage and Short-voltage Protections

When power supply voltage exceeds 130VAC or 184VDC, over-voltage protection will be activated and the RED ALARM LED will light. When power supply voltage is lower than 45VAC or 64VDC, short-voltage protection will be activated and the RED ALARM LED will light.

Short Circuit Protection

Protection will be activated in case of short circuit between motor coils or between motor coil and ground.

Wrong Motor Connection Protection

Protection will be activated when the motor is connected in a wrong way.

When above protections are active, the motor shaft will be free or the RED ALARM LED will light.

Reset the driver by repowering it to make it function properly after removing above problems.

12. Frequently Asked Questions

In the event that your ND1082 doesn't operate properly, the first step is to identify whether the problem is electrical or mechanical in nature. The next step is to isolate the system component that is causing the problem. As part of this process you may have to disconnect the individual components that make up your system and verify that they operate independently. It is important to document each step in the troubleshooting process. You may need this documentation to refer back to at a later date, and these details will greatly assist our Technical Support staff in determining the problem should you need assistance.

Many of the problems that affect motion control systems can be traced to electrical noise, controller software errors, or mistake in wiring.

Problem Symptoms and Possible Causes

Symptoms	Possible Problems
Motor is not rotating	No power
	Microstep resolution setting is wrong
	DIP switch current setting is wrong
	Fault condition exists
Motor rotates in the wrong direction	The driver is disabled
	Motor phases may be connected in reverse
The driver in fault	DIP switch current setting is wrong
	Something wrong with motor coil
Erratic motor motion	Control signal is too weak
	Control signal is interfered
	Wrong motor connection
Motor stalls during acceleration	Something wrong with motor coil
	Current setting is too small, losing steps
	Current setting is too small
	Motor is undersized for the application
	Acceleration is set too high
	Power supply voltage too low

Excessive motor and driver heating	Inadequate heat sinking / cooling
	Automatic current reduction function not being utilized
	Current is set too high

APPENDIX

Twelve Month Limited Warranty

Leadshine Technology Co., Ltd. warrants its products against defects in materials and workmanship for a period of 12 months from shipment out of factory. During the warranty period, Leadshine will either, at its option, repair or replace products which proved to be defective.

Exclusions

The above warranty does not extend to any product damaged by reasons of improper or inadequate handlings by customer, improper or inadequate customer wirings, unauthorized modification or misuse, or operation beyond the electrical specifications of the product and/or operation beyond environmental specifications for the product.

Obtaining Warranty Service

To obtain warranty service, a returned material authorization number (RMA) must be obtained from customer service at e-mail: tech@leadshine.com before returning product for service. Customer shall prepay shipping charges for products returned to Leadshine for warranty service, and Leadshine shall pay for return of products to customer.

Warranty Limitations

Leadshine makes no other warranty, either expressed or implied, with respect to the product. Leadshine specifically disclaims the implied warranties of merchantability and fitness for a particular purpose. Some jurisdictions do not allow limitations on how long and implied warranty lasts, so the above limitation or exclusion may not apply to you. However, any implied warranty of merchantability or fitness is limited to the 12-month duration of this written warranty.

Shipping Failed Product

If your product fail during the warranty period, e-mail customer service at tech@leadshine.com to obtain a returned material authorization number (RMA) before returning product for service. Please include a written description of the problem along with contact name and address. Send failed product to distributor in your area or: Leadshine Technology Co., Ltd. Floor 3, Block 2, Nanyou Tianan Industrial Park, Nanshan Dist, Shenzhen, China. Also enclose information regarding the circumstances prior to product failure.